

BENEFITS

High Efficiency

Industry leading panel efficiency of 16.9%

Attractive Design

Unique design combines high efficiency and an elegant, all-black appearance

More Power

Delivers up to 50% more power per unit area than conventional solar panels

Reliable and Robust Design

Proven materials, tempered front glass, and a sturdy anodized frame allow panel to operate reliably in multiple mounting configurations



210 SOLAR PANEL

EXCEPTIONAL EFFICIENCY AND APPEARANCE



The SunPower 210 Solar Panel provides a revolutionary combination of high efficiency and attractive, uniform appearance. Utilizing 72 next generation SunPower all-back contact solar cells and an all-black backsheet, the SunPower 210 elegantly delivers an unprecedented total panel conversion efficiency of 16.9%. The panel's reduced voltage-temperature coefficient and exceptional low-light performance attributes provide far higher energy delivery per peak power than conventional panels.

SunPower's High Efficiency Advantage – up to 50% More Power

Comparable systems covering 25 m ² / 270 ft ²		
	Conventional	SunPower
Watts / Panel	165	210
Efficiency	12.0%	16.9%
kWs	3.0	4.2

Electrical Data

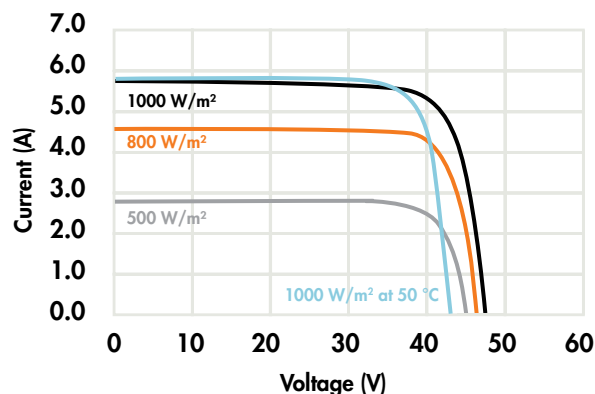
Measured at Standard Test Conditions (STC): irradiance of 1000 W/m², air mass 1.5g, and cell temperature 25° C

Peak Power (+/-5%)	Pmax	210 W
Rated Voltage	Vmp	40.0 V
Rated Current	Imp	5.25 A
Open Circuit Voltage	Voc	47.7 V
Short Circuit Current	Isc	5.75 A
Maximum System Voltage	IEC, UL	1000 V, 600 V
Temperature Coefficients		
	Power	-0.38% /°C
	Voltage (Voc)	-136.8 m V/°C
	Current (Isc)	3.5 m A/°C
Series Fuse Rating		15 A
Peak Power per Unit Area		169 W/m ² , 15.7 W/ft ²
CEC PTC Rating		193.7 W

Mechanical Data

Solar Cells	72 SunPower all-back contact monocrystalline
Front Glass	3.2mm (1/8 in) tempered
Junction Box	IP-65 rated with 3 bypass diodes
Output Cables	900mm length cable / Multi-Contact connectors
Frame	Anodized aluminum alloy type 6063
Weight	15 kg, 33 lbs

IV Curve



Current/voltage characteristics with dependence on irradiance and module temperature.

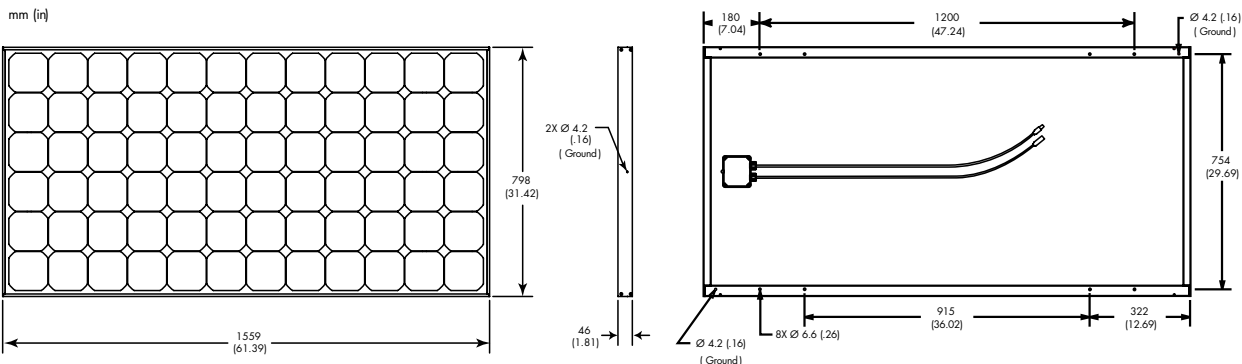
Tested Operating Conditions

Temperature	-40° C to +85° C (-40°F to +185°F)
Max load	50 psf (2400 Pascals) front and back
Impact Resistance	Hail - 25mm (1 in) at 23 m/s (52 mph)

Warranty and Certifications

Warranty	25 year limited power warranty 10 year limited product warranty
Certifications	IEC 61215 , Safety tested IEC 61730; UL listed (UL 1703), Class C Fire Rating

Dimensions



CAUTION: READ SAFETY AND INSTALLATION INSTRUCTIONS BEFORE USING THE PRODUCT. Go to www.sunpowercorp.com/panels for details

About SunPower

SunPower designs, manufactures and delivers high-performance solar electric technology worldwide. Our high-efficiency solar cells generate up to 50% more power than conventional solar cells. Our high-performance solar panels, roof tiles and trackers deliver significantly more energy than competing systems.