

### BENEFITS

#### Reliable and Robust Design

Proven track record for durability and longevity

#### Effective Power Range

Enables most systems to use a single inverter rather than multiple units

#### Commercial Use

Flexible AC voltage output and scalable building blocks create an easy solution for commercial applications

#### High Efficiency

Weighted CEC efficiency of at least 95.5% and peak efficiency of at least 96.5%

#### Reduced Installation Cost

Integrated DC disconnect with fuses lowers material costs and labor requirements

#### Attractive Aesthetics

Integrated disconnect eliminates need for visible conduits to inverter



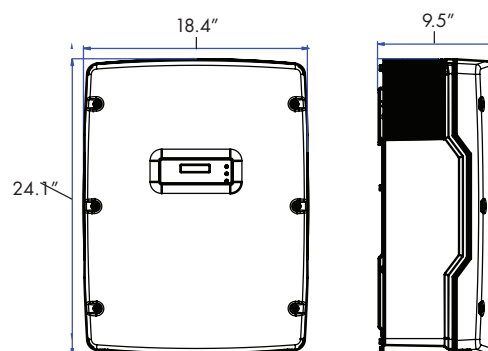
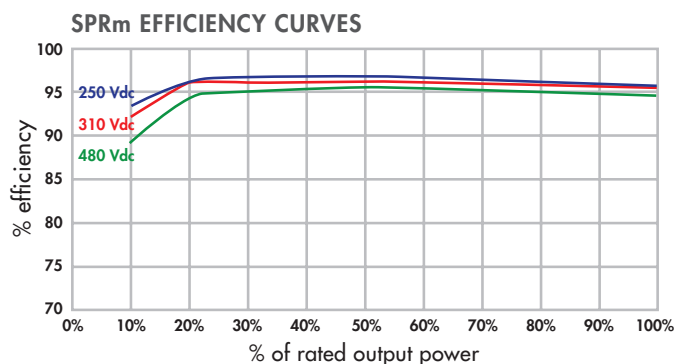
SunPower SPR-5000m, -6000m, -7000m and -8000m inverters offer superior reliability and performance and can be easily integrated into residential or commercial installations. All models are backed by a 10-year warranty.



Electrical Data				
String Inverters	SPR-5000m	SPR-6000m	SPR-7000m	SPR-8000m
AC Nominal Power	5000 W	6000 W	7000 W	7680 W @ 240 V 8000 W @ 277 V
AC Max Output Current (@ 208V, 240V, 277V):	24 A, 21A, 18A	29A, 25A, 22A	34A, 29A, 25A	N/A, 32A, 29A
AC Nominal Voltage / Range	183 – 229 V @ 208 V 211 – 264 V @ 240 V 244 – 305 V @ 277 V	183 – 229 V @ 208 V 211 – 264 V @ 240 V 244 – 305 V @ 277 V	183 – 229 V @ 208 V 211 – 264 V @ 240 V 244 – 305 V @ 277 V	N/A @ 208 V 211 – 264 V @ 240 V 244 – 305 V @ 277 V
AC Freq / Range	60 Hz / 59.3 Hz – 60.5 Hz	60 Hz / 59.3 Hz – 60.5 Hz	60 Hz / 59.3 Hz – 60.5 Hz	60 Hz / 59.3 Hz – 60.5 Hz
Power Factor (Nominal)	0.99	0.99	0.99	0.99
Peak Inverter Efficiency	96.8%	97.0%	97.1%	96.5%
CEC Weighted Efficiency	95.5% @ 208 V 95.5% @ 240 V 95.5% @ 277 V	95.5% @ 208 V 95.5% @ 240 V 96.0% @ 277 V	95.5% @ 208 V 96.0% @ 240 V 96.0% @ 277 V	N/A @ 208 V 96.0% @ 240 V 96.0% @ 277 V
Recommended Maximum PV Power (Module @ STC)	6250 W	7500 W	8750 W	10000 W
DC Input Voltage Range	250 – 600 V	250 – 600 V	250 – 600 V	300 – 600 V
Peak Power Tracking Voltage	250 – 480 V	250 – 480 V	250 – 480 V	300 – 480 V
DC Max. Input Current	21A	25A	30A	30A
DC Voltage Ripple	4%	4%	4%	4%
No. of Fused String Inputs	4	4	4	4
Power Consumption: Operation/Nighttime	<7W / 0.1 W			
Topology	Low frequency transformer			
Fused DC Disconnect	Standard; Complies with NEC Standards			
Electrical Grounding	Configurable in the field with integrated grounding kit: SunPower™ Solar Panels: DC circuit positively grounded Serengeti™ Solar Panels: DC circuit negatively grounded			

Mechanical Data	
SPR-5000m, SPR-6000m, SPR-7000m and SPR-8000m	
Shipping Dimensions W x H x D (inches)	23.5" x 31.0" x 16.0"
Unit Dimensions W x H x D (inches)	18.4" x 24.1" x 9.5"
Inverter Weight	141 lbs for SPR-5000m, -6000m and -7000m / 148 lbs for SPR-8000m
Shipping Weight	148 lbs for SPR-5000m, -6000m and -7000m / 152 lbs for SPR-8000m
Cooling	Forced Air / Sealed Electronics Enclosure
Enclosure	NEMA 3R
Mounting	Wall Mount Bracket Standard
Ambient Temperature Range	-13 to +113 °F

Warranty and Certifications	
Warranty	10 year limited warranty
Certifications	Compliance: IEEE-929, IEEE-1547, UL 1741, UL 1998, FCC Part 15 A & B



### About SunPower

Founded in 1985, SunPower Corp. (Nasdaq: SPWRA, SPWRB) designs, manufactures and delivers the planet's most powerful solar technology. Residential, business, government and utility customers rely on the company's experience and proven results to maximize return on investment.